

# Self-cleaning filter

„Professional technological systems for the food and chemical industry”

## Application:

The filter is intended for catching larger pollutants at the starch production stage. It may serve the purpose of water stream pre-treatment in different industries.

## Advantages

Simple construction. Light weight of the device.

## Description of the machine:

The essential elements of the filter include: body, filtering sieve, brush unit, upper body with a drive, bottom body.

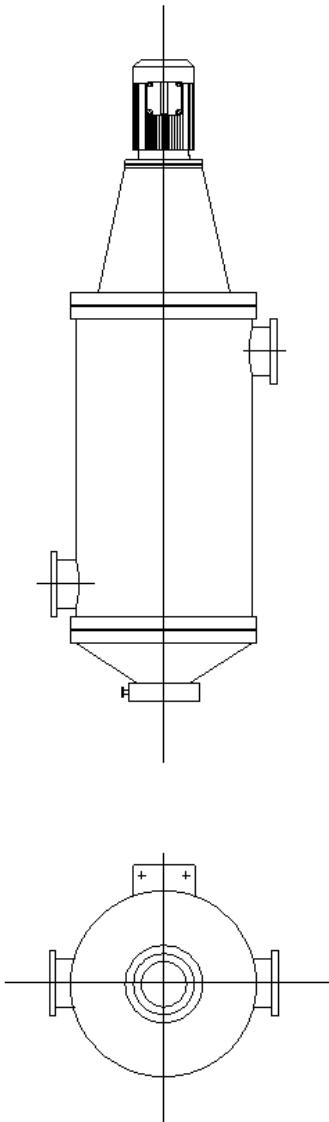
The respective elements are made of stainless steel. The starch milk is fed into the filter by means of a pump through an upper connector pipe. A sieve, through which the milk is seeped from the inside to the chamber between the sieve and the body, is built into the body. The clean starch milk is discharged through a bottom-side connector pipe into further devices. The pollutants remaining on the internal surface of the sieve are collected by rotary brushes positioned in the screw line, and then directed to the bottom body equipped with a mixer that prevents the starch and pollutants from settling. The pollutants collected at the bottom part are discharged every now and then through a valve, or continuously through a hole made in the valve partition.

## Technical data:

Filtration sheet mesh diameter: ..... 0.6–1.0 [mm]

Power: ..... 3 [kW]

Weight: ..... 200 [kg]



Offered devices can differ from presented on the photos.



[www.mysak.pl](http://www.mysak.pl)

### Contact:

tel. (+48 61) 81 01 627

fax (+48 61) 84 29 634

### Address:

„Mysak” Sp. z o.o.

ul. Szarych Szeregów 25

60-462 Poznań, Poland