

Loose material dosing machine

"Advanced technological systems for chemical and food industry"



Application:

The machine is used for dosing loose materials. It will be found especially useful in food chemical, and pharmaceutical branches of industry.

Advantages

Parts in contact with the material are made from acid-resistant steel. Safety guaranteed. Full automation. Light construction. Low power consumption. Affordable price.

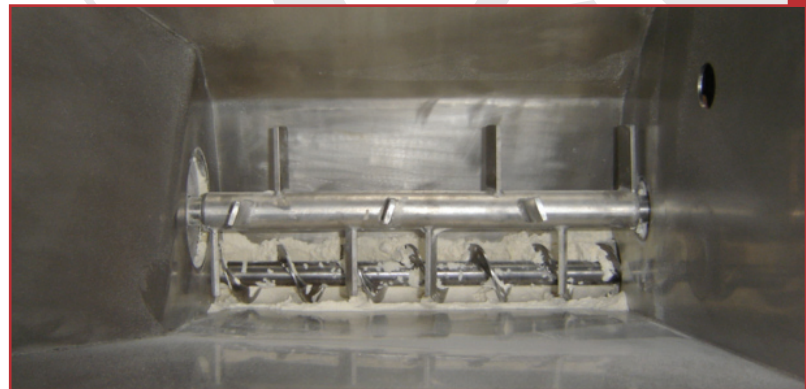
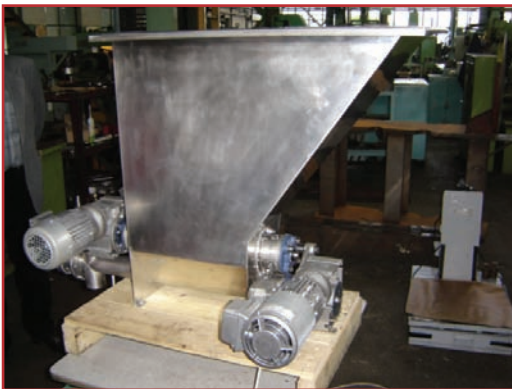
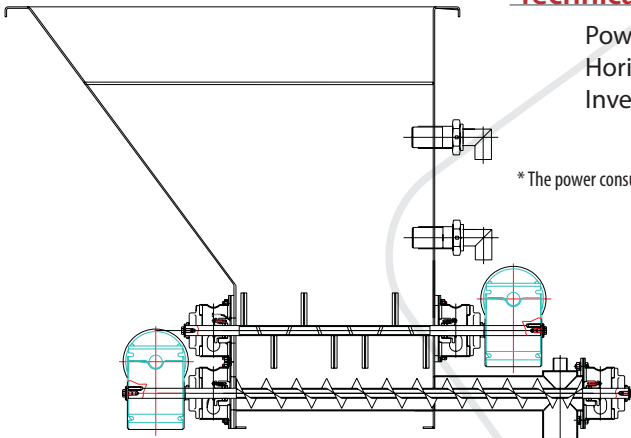
Description

The body is made of welded acid-resistant sheets. The dosage machine is equipped with two shafts propelled by motoreducers. One serves as a mixer, the other provides the material. A sieve is attached at the top part of the charging point. The device has also electronic horizontal position sensors. The wormshaft is equipped with an inverter, which provides an unimpeded rotational speed.

Technical data:

Power consumption – two motoreducers 0.55 kW each
Horizontal position sensor – FTC 968/Endres +Hauser/
Inverter SK380/IFTC

* The power consumption and construction can be altered on customer's request.



Offered devices can differ from presented on the photos.



www.mysak.pl

Contact:

tel. (+48 61) 81 01 627
fax (+48 61) 84 29 634

Address:

Mysak Group Sp. z o.o. sp.k.
Ul. Haber-Włyńskiego 7
60-408 Poznań, Poland