

# Buffer tank

Professional technological systems for the food and chemical industry

## Application:

The device is intended for the storage of raw materials or a processed product between operations.

## Advantages

Simple construction. Functionality.

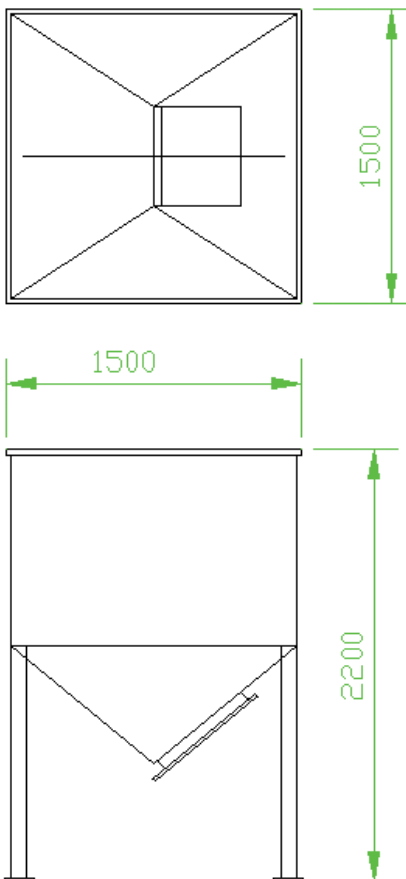
## Description of the machine:

The intermediary tank fulfils the role of a buffer before supplying the products onto the steam peeler or other technological device. It may distribute the raw material between two lines for the peeling and preparation of the vegetables at the same time.

## Technical data\*:

- acid resistant steel construction or carbon steel construction painted depending on requirements.
- Total height..... - 2.200 mm
- Width..... - 1.500 mm
- Vwork..... - 2.5 m3

\* other dimensions are possible after consultations



Offered devices can differ from presented on the photos.



[www.mysak.pl](http://www.mysak.pl)

### Contact:

tel. (+48 61) 81 01 627  
fax (+48 61) 84 29 634

### Adress:

**Mysak Group Sp. z o.o. sp.k.**  
Ul. Haber-Włyńskiego 7  
60-408 Poznań, Poland